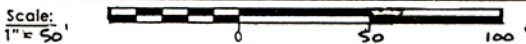
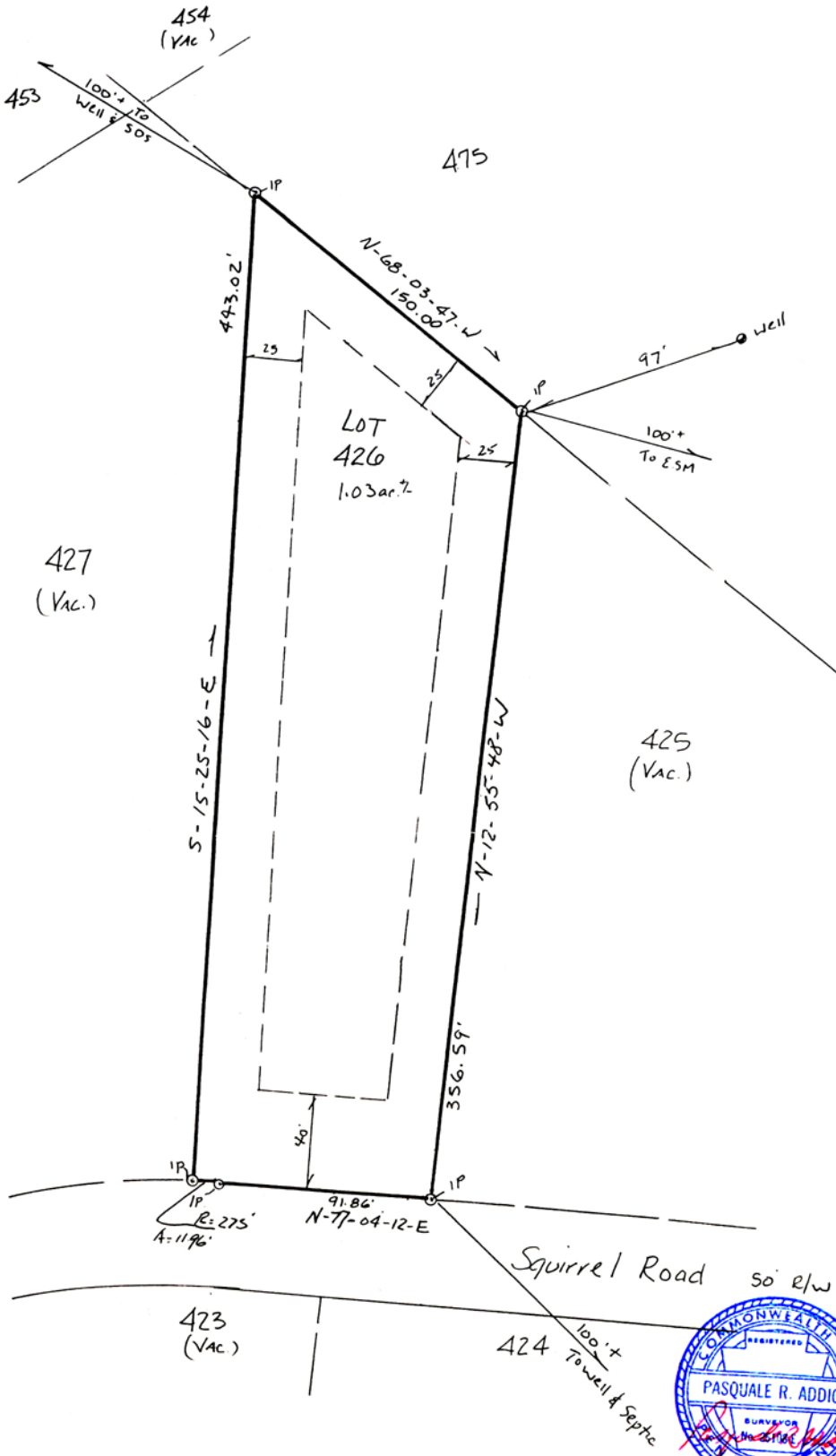


File Map North



**PLOT PLAN - LOT SURVEY**

Prepared By:

Land Of:

**P.R. Addio, Inc.**  
Pasquale R. Addio, L.S. 26180-E PA



**Ed Nikles**  
*Custom Builder, Inc.*  
**Nikles Realty**  
*Inc.*

Pocono Mountain  
Lake Forest  
Lot 426 Section 3  
Delaware Township  
Pike County, PA

104 Bennett Ave., Suite 1A, Millford, PA 18337  
Tel: 570-296-9200 • www.ednikles.com

Survey By: Name **GC+JS** Cl'd By: P.R. Addio, L.S.  
Date Surveyed: **6/6/05** Drawn By: **PEA**  
Drawing **759** FB **83** Pg. **33** Map Book Pg.